

Speedfit® Blue

Product Range

EQUAL STRAIGHT CONNECTOR

| Part No. | Size MM |
|----------|------------|
| UG401B | 20 |
| UG402B | 25 |
| UG403B | 32 |

Cold water only

REDUCING STRAIGHT CONNECTOR

| Part No. | Size MM |
|----------|------------|
| UG501B | 25 x 20 |
| UG502B | 32 x 25 |

Cold water only

PE-COPPER COUPLER

| Part No. | Size MM |
|----------|------------|
| UG601B | 20 x 15 |
| UG603B | 25 x 15 |
| UG602B | 25 x 22 |
| UG604B | 32 x 28 |

Used to connect PE Pipe to copper or Speedfit Plumbing Pipe. Must not be buried directly into ground, soil, concrete or other substrates.

Cold water only

MALE ADAPTOR

| Part No. | Size |
|----------|------------------|
| UG101B | 20 x 1/2" BSP |
| UG102B | 25 x 3/4" BSP |
| UG103B | 32 x 1" BSPT |
| UG104B | 32 x 1.1/2" BSPT |

Cold water only

FEMALE ADAPTOR

| Part No. | Size MM x BSP |
|----------|------------------|
| UG4501B | 20 x 1/2" |
| UG4502B | 25 x 3/4" |

Cold water only

EQUAL ELBOW

| Part No. | Size MM |
|----------|------------|
| UG301B | 20 |
| UG302B | 25 |
| UG303B | 32 |

Cold water only

WALL PLATE ELBOW

| Part No. | Size MM x BSP |
|-----------|------------------|
| UGPWB2014 | 20 x 1/2" |
| UGPWB2514 | 25 x 1/2" |
| UGPWB2516 | 25 x 3/4" |

Cold water only

STEM ELBOW

| Part No. | Pipe OD MM | Stem OD MM |
|-----------|---------------|---------------|
| UG222025B | 20 | 25 |
| UG222525B | 25 | 25 |
| UG223232B | 32 | 32 |

Cold water only

Stem cannot be disconnected from mating connector with collet cover fitted

EQUAL TEE

| Part No. | Size MM |
|----------|------------|
| UG201B | 20 |
| UG202B | 25 |
| UG203B | 32 |

Cold water only

REDUCING TEE

| Part No. | Size Exit | Size Branch |
|----------|--------------|----------------|
| UG232AB | 32 | 25 |

Cold water only

STOP END

| Part No. | Size MM |
|----------|------------|
| UG4620B | 20 |
| UG4625B | 25 |

Cold water only
Gives a permanent or temporary shut off.

STOP TAP

| Part No. | Size MM |
|-----------|------------|
| UGSTV2020 | 20 |
| UGSTV2525 | 25 |
| UGSTV3232 | 32 |
| UGSTV2515 | 25 x 15 |
| UGSTV2522 | 25 x 22 |

The Stop Tap for 15 or 22mm copper or PEX Pipe must not be buried directly into ground, soil, concrete or other substrates.

PLUGS

| Part No. | Size MM |
|----------|------------|
| UG801E | 20 |
| UG802E | 25 |
| UG803B | 32 |

Cold water only

PIPE INSERT

| Part No. | Size MM |
|-------------|------------|
| UTS147 - DB | 20 |
| UTS197 - DB | 25 |
| UTS251 - DB | 32 |

IMPERIAL CONVERTER

| Part No. | Stem Inch Pipe Size |
|----------|---------------------------|
| UGICO1 | 20 1/2" |
| UGICO2 | 25 3/4" |

Supplied with inch size Pipe Insert
To convert metric size fitting for use with imperial size LDPE to BS1572 Class C or Class D.
Stem cannot be disconnected from mating connector with collet cover fitted.

Other Products from Speedfit



Speedfit® Grey

WRAS APPROVED PRODUCT



Flexi Hose with Hand Tighten Nut

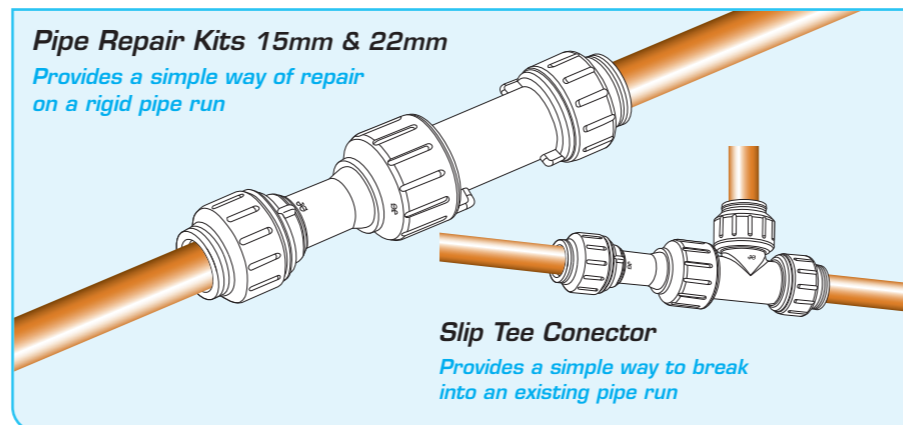
WRAS APPROVED PRODUCT



White Service Valves

Pipe Repair Kits 15mm & 22mm

Provides a simple way of repair on a rigid pipe run



Slip Tee Connector

Provides a simple way to break into an existing pipe run

WRAS APPROVED PRODUCT

FOR TECHNICAL CHECKLIST SEE OUR PRODUCT GUIDE

John Guest Speedfit Limited.

Horton Road, West Drayton,
Middlesex UB7 8JL, England.
Tel: 01895 449233 Fax: 01895 420321.
www.speedfit.co.uk
Technical Help Desk: 01895 425333

The company has a policy of continuous research and development and reserves the right to amend without notice the specification and design of all products illustrated in this catalogue. John Guest Speedfit reserve the right to change the colour and shape of products. Photographs are for illustration purposes only.

Subject to our Terms and Conditions of Sale available on request.

John Guest® and Speedfit® are registered trademarks of John Guest International Limited
© Copyright 2009.

Speedfit® Blue

A New Improved Range of Push Fit Fittings for Cold Water Services

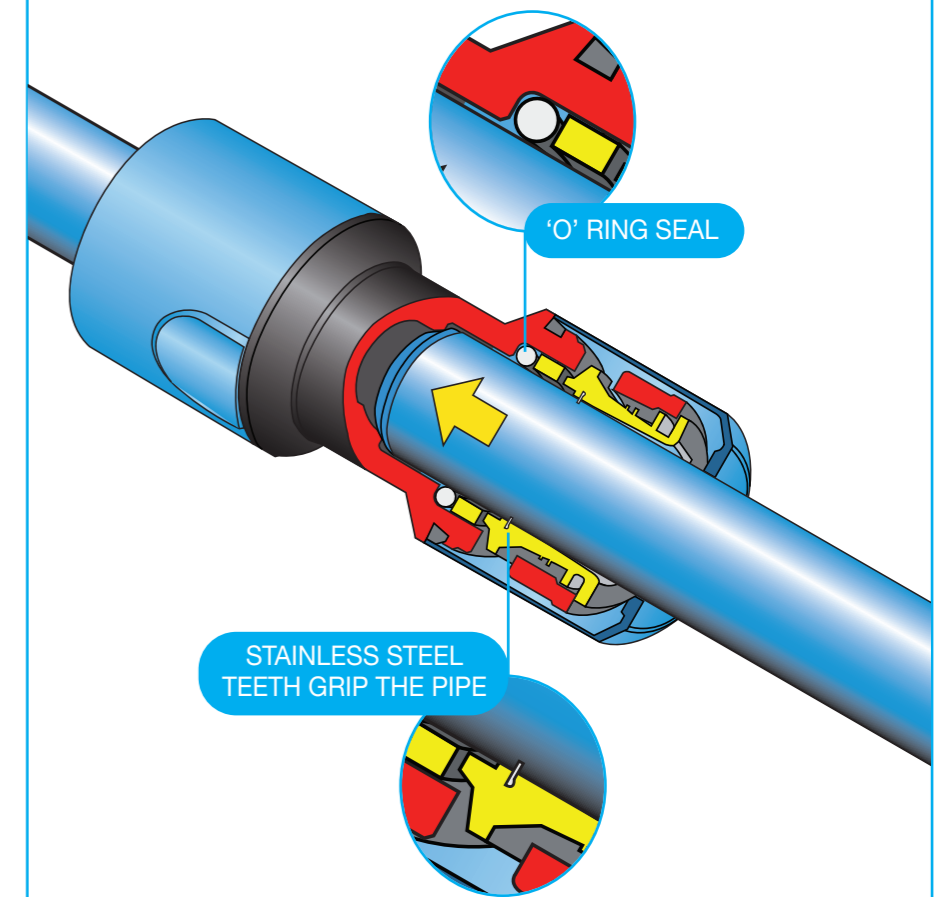
September 2009

WRAS APPROVED PRODUCT



HOW JG Speedfit® WORKS

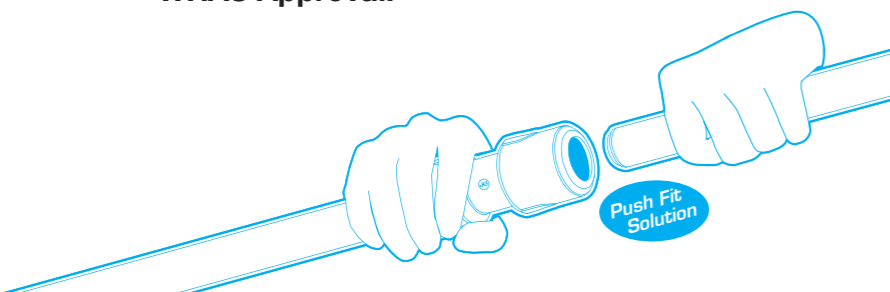
A Collet with stainless steel teeth grips the pipe and an 'O' ring provides a permanent leakproof seal.



JG Speedfit® Blue

Push Fit Fittings for Cold Water Services

A new range of fittings for MDPE Pipe is being introduced from October 2008. The range has an improved Collet with stainless steel teeth to provide extra grip on the pipe and has WRAS Approval.



Benefits:

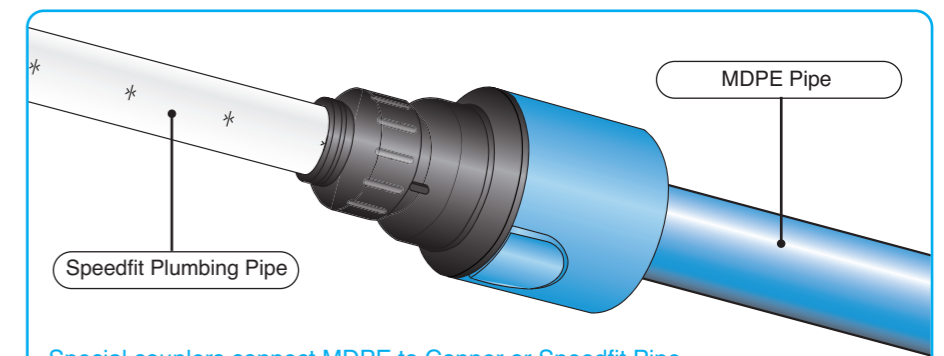
- No tools required
- Simple push in action
- Fast installation time
- Durable - high resistance to impact
- High resistance to pull out
- Reliable trouble free connection

Designed for:

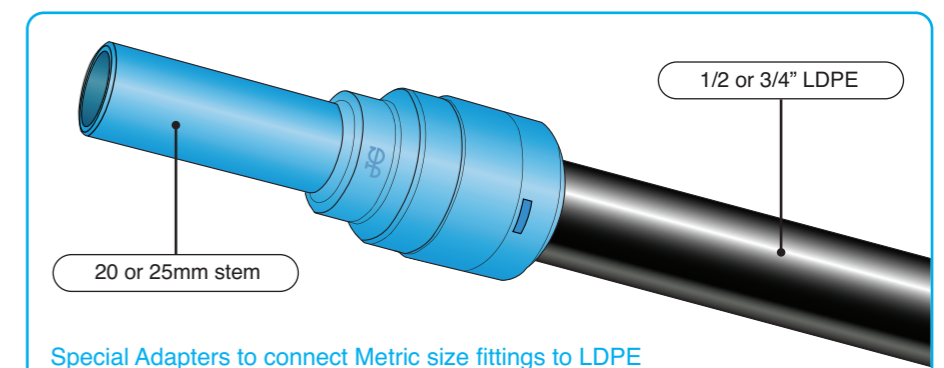
- Blue MDPE to BS6572 for Underground Services
- Black MDPE to BS6730 for Above-Ground Services
- Pipe to ISO 161/1, BS ISO 11922 and DIN 16893

WORKING TEMPERATURE AND PRESSURE:
MAXIMUM WORKING PRESSURE
16 BAR @ 20°C

DO NOT USE FOR HOT WATER, GAS,
FUEL OIL OR COMPRESSED AIR



Special couplers connect MDPE to Copper or Speedfit Pipe.



Special Adapters to connect Metric size fittings to LDPE